

Terminator
Actuator

Open Style
Yoke

Sherwood
Valve

Cylinder

HALOGEN
VALVE SYSTEMS, INC.

17961 Sky Park Circle,
Suite A
Irvine, CA 92614
Tel: (877) 476-4222
Fax: (949) 261-5033

Date

5/20/03

Part No.

8500.00

Name

Cylinder with Terminator Actuator

File Name

150 lb. cylinder with Terminator actuator

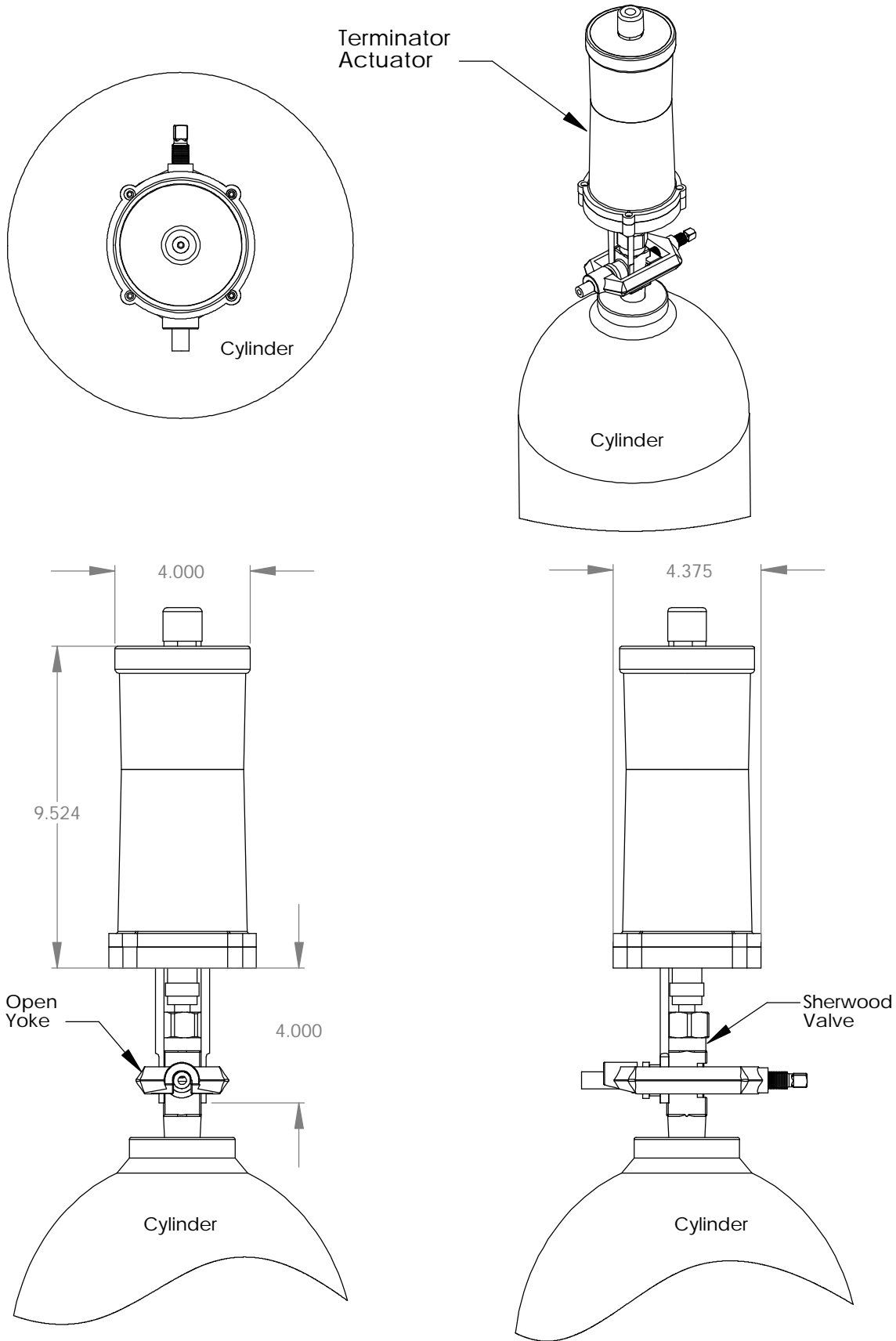
Scale

1:3

DWG NO.

8500.01

Sheet 1 of 1



HALOGEN VALVE SYSTEMS, INC.	17961 Sky Park Circle, Suite A Irvine, CA 92614 Tel: (877) 476-4222 Fax: (949) 261-5033	Date	Part No.	Name
		5/1/03	8500.00	Cylinder with Terminator Actuator
File Name	Scale	size	DWG NO.	Sheet 1 of 1
150 lb. cylinder with Terminator actuator	1:4		8500.00	

